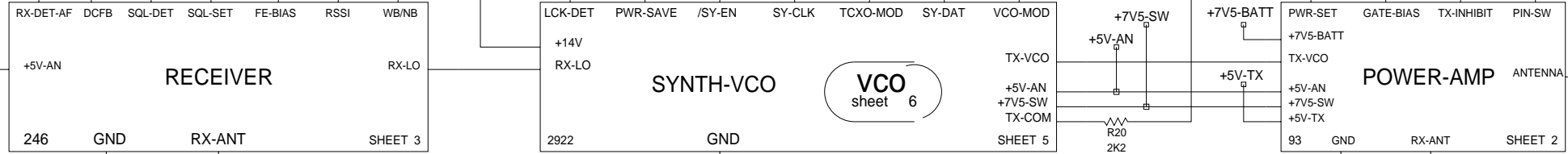
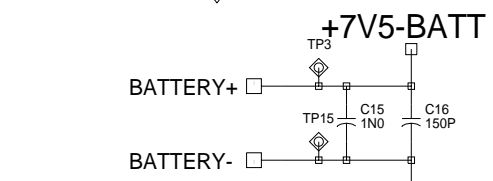


PROCESSOR
252 SHEET 4
DSP AUDIO



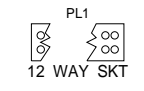
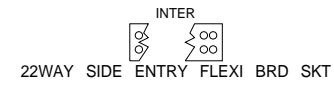
Interface PCB

Accessory Connector



05B	CCO	1603/009	CM			02/02/00
05A	CCO	1603-008	TS			15-12-99
04B	CCO	1603/007	TS			18-11-99
04A	CCO	1603/004	CJK			05/11/99
03A	CCO	1603/003	CJK	SP		6/10/99
02A	CCO	1603/001 & 002	CJK			24/09/99
01A	NEW PA	FOR 400-470 MHZ	CJK	JJ		10/06/99
REV/ISS	AMENDMENTS		DRAWN	CHKD	D.O.	APVD

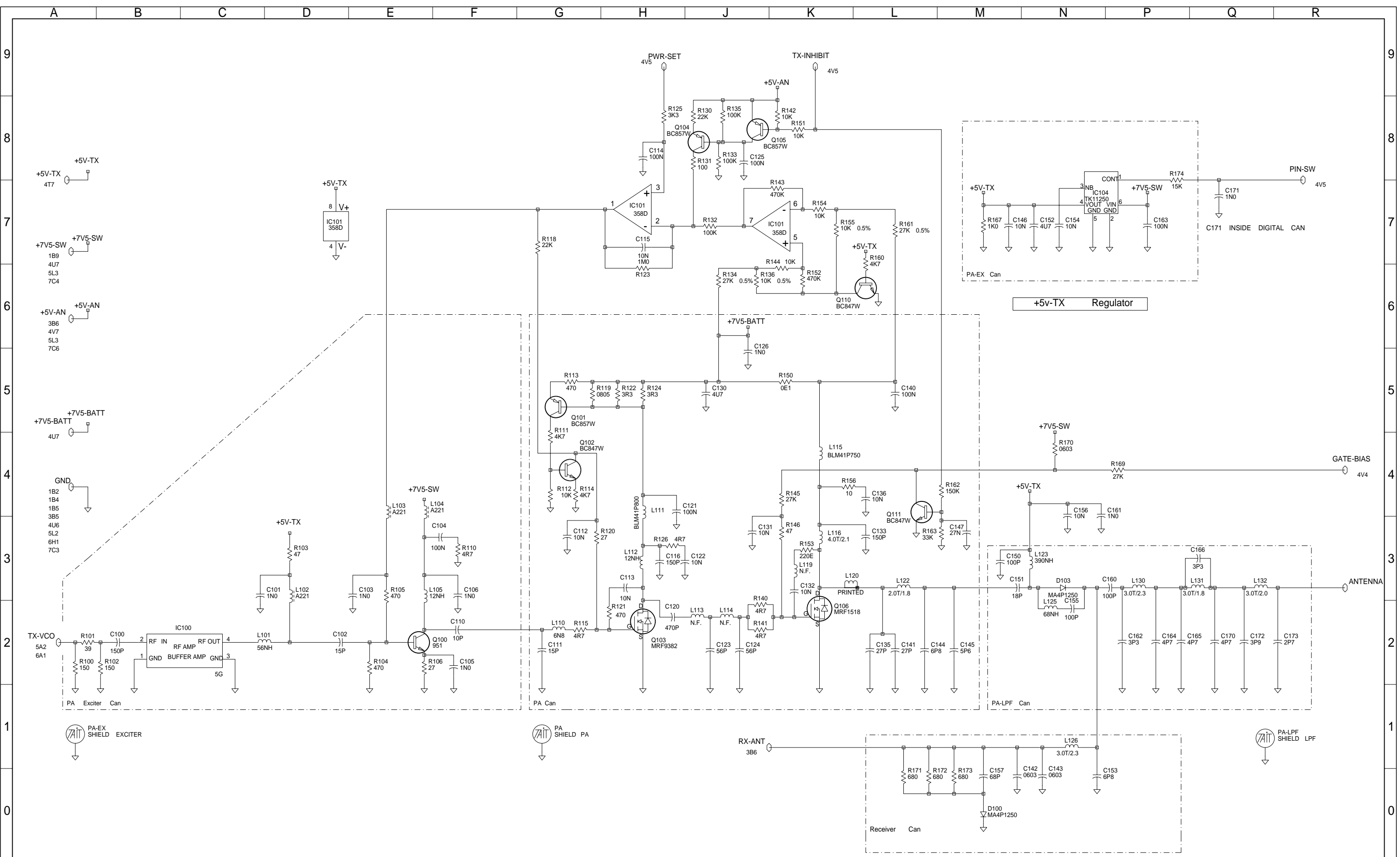
08A	CCO. NO.	1603-011	BRD			26-01-01
07A	CCO. NO.	1603-010	BRD			23-02-01
REV/ISS	AMENDMENTS		DRAWN	CHKD	D.O.	APVD



© **TAIT ELECTRONICS**
ORCA : 400-470MHZ
SYSTEM DIAGRAM

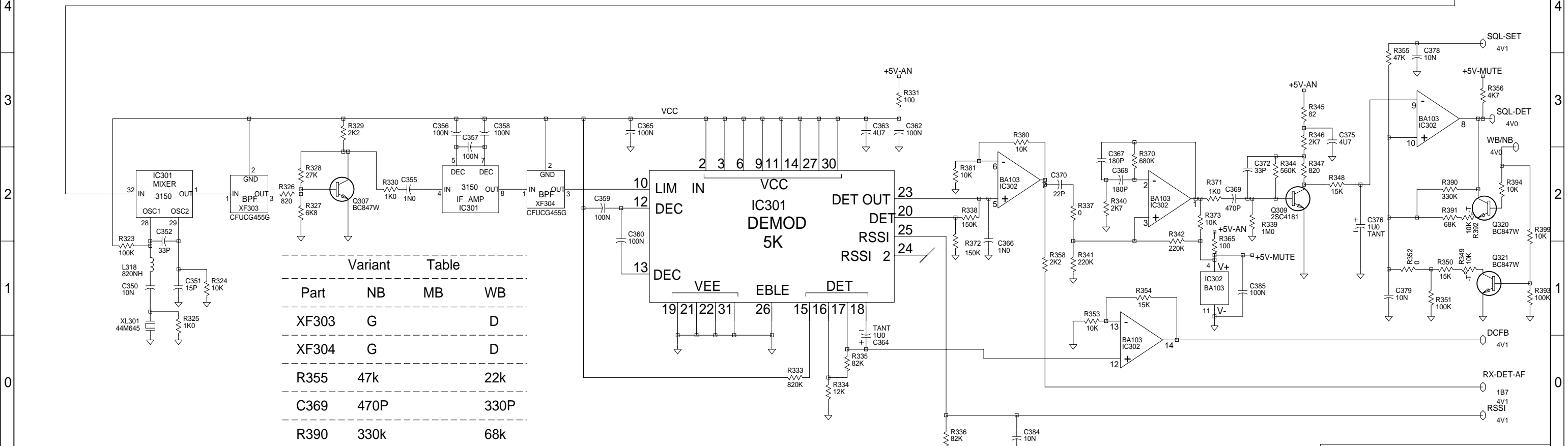
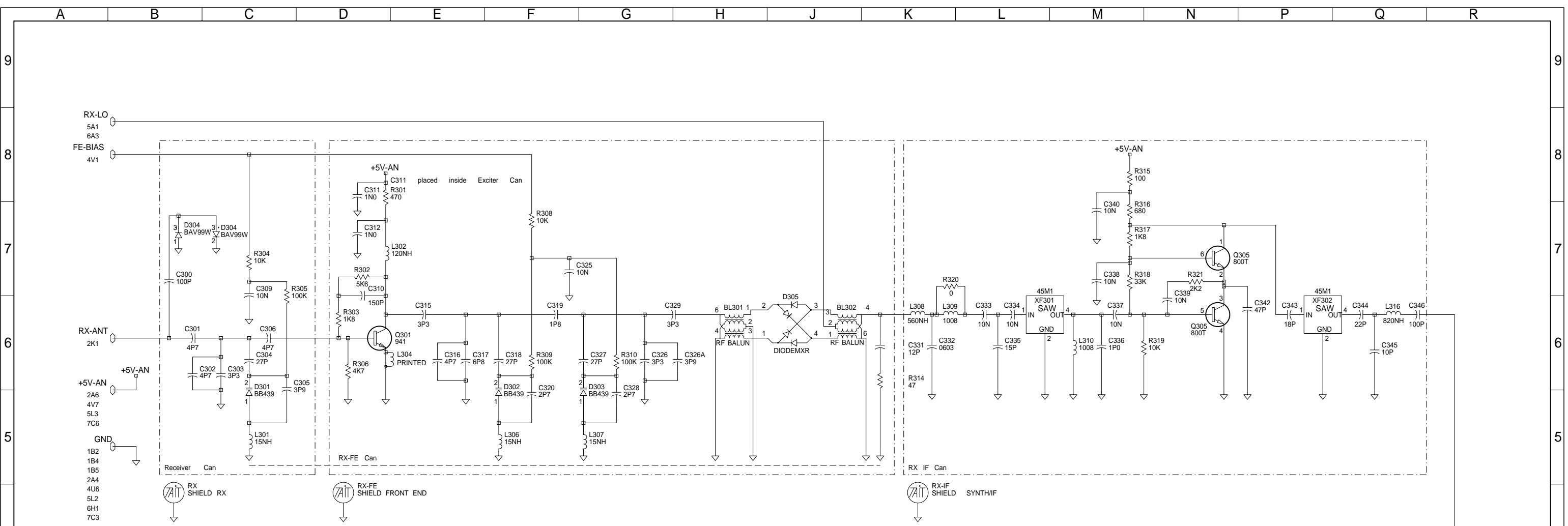
IPN: 220-01603-08
ISSUE: A
ID: 2.S.C. 1

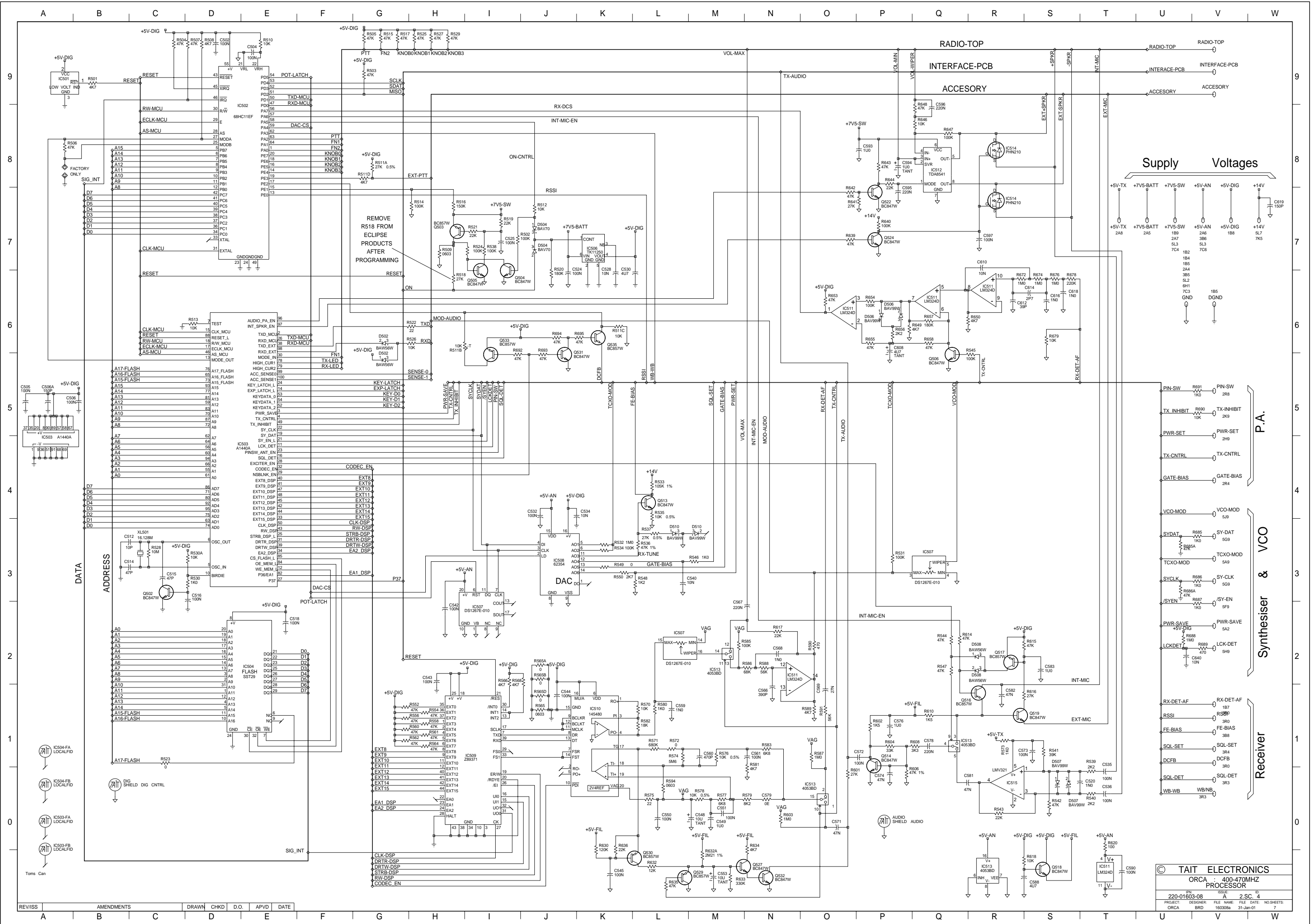
PROJECT: ORCA BRD
DESIGNER: FILE NAME: 160308a
DATE: 31-Jan-01
NO.SHEETS: 7



© TAIT ELECTRONICS
 ORCA : 400-470MHZ
 POWER AMPLIFIER
 IPN: 220-01603-08 ISSUE: A ID: 2.S.C. 2
 PROJECT: ORCA BRD DESIGNER: FILE NAME: 160308a FILE DATE: 31-Jan-01 NO.SHEETS: 7

REV/ISS	AMENDMENTS	DRAWN	CHKD	D.O.	APVD	DATE
A						

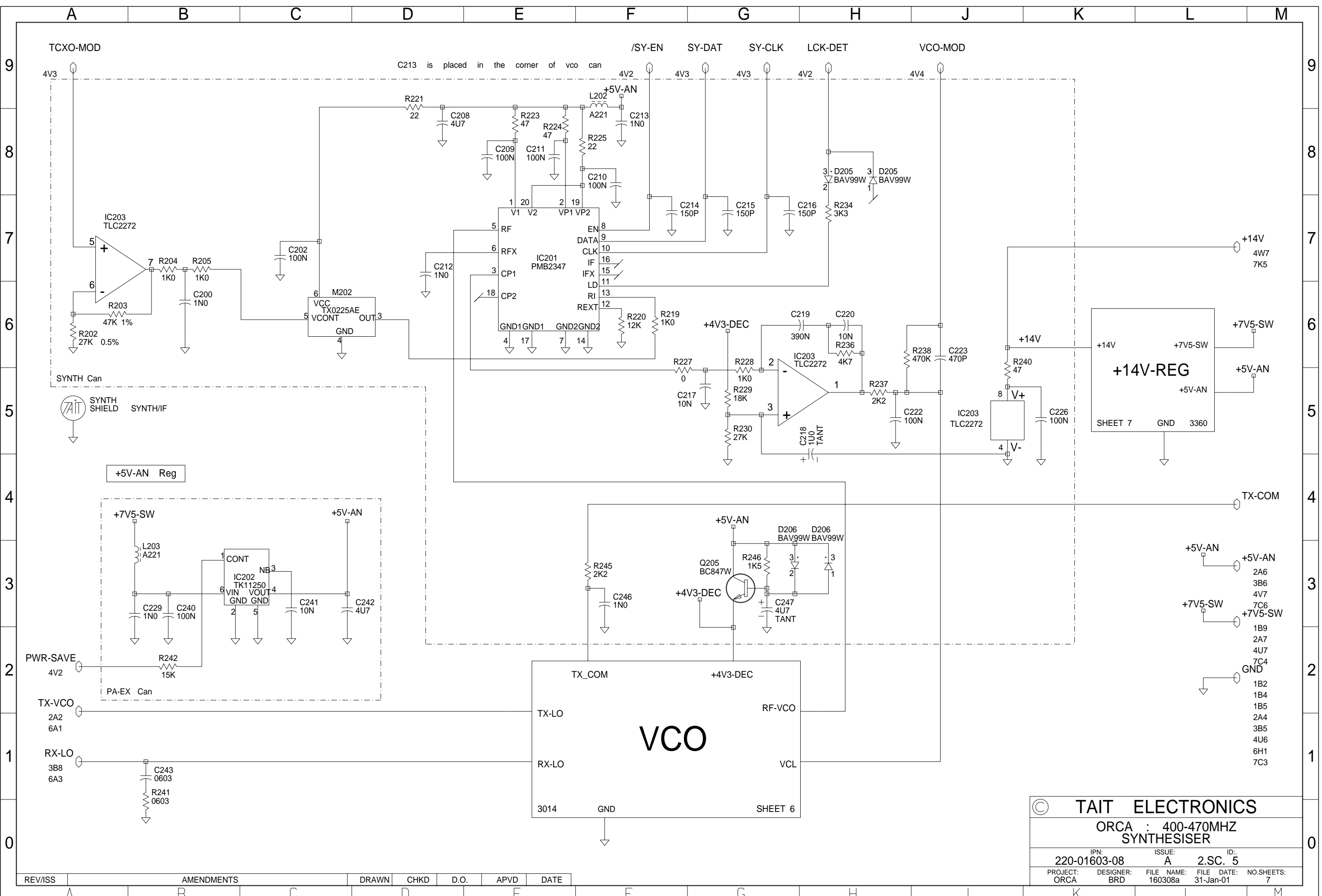




© TAIT ELECTRONICS
 ORCA : 400-470MHZ
 PROCESSOR
 220-01603-08
 2-SC-4
 PROJECT DESIGNER: FILE NAME: FILE DATE: NO SHEETS: 7
 ORCA BRD 160308a 31-Jan-01

REV/ISS	AMENDMENTS	DRAWN	CHKD	D.O.	APVD	DATE
A						

P.A.
 VCO & Synthesiser
 Receiver



C213 is placed in the corner of vco can

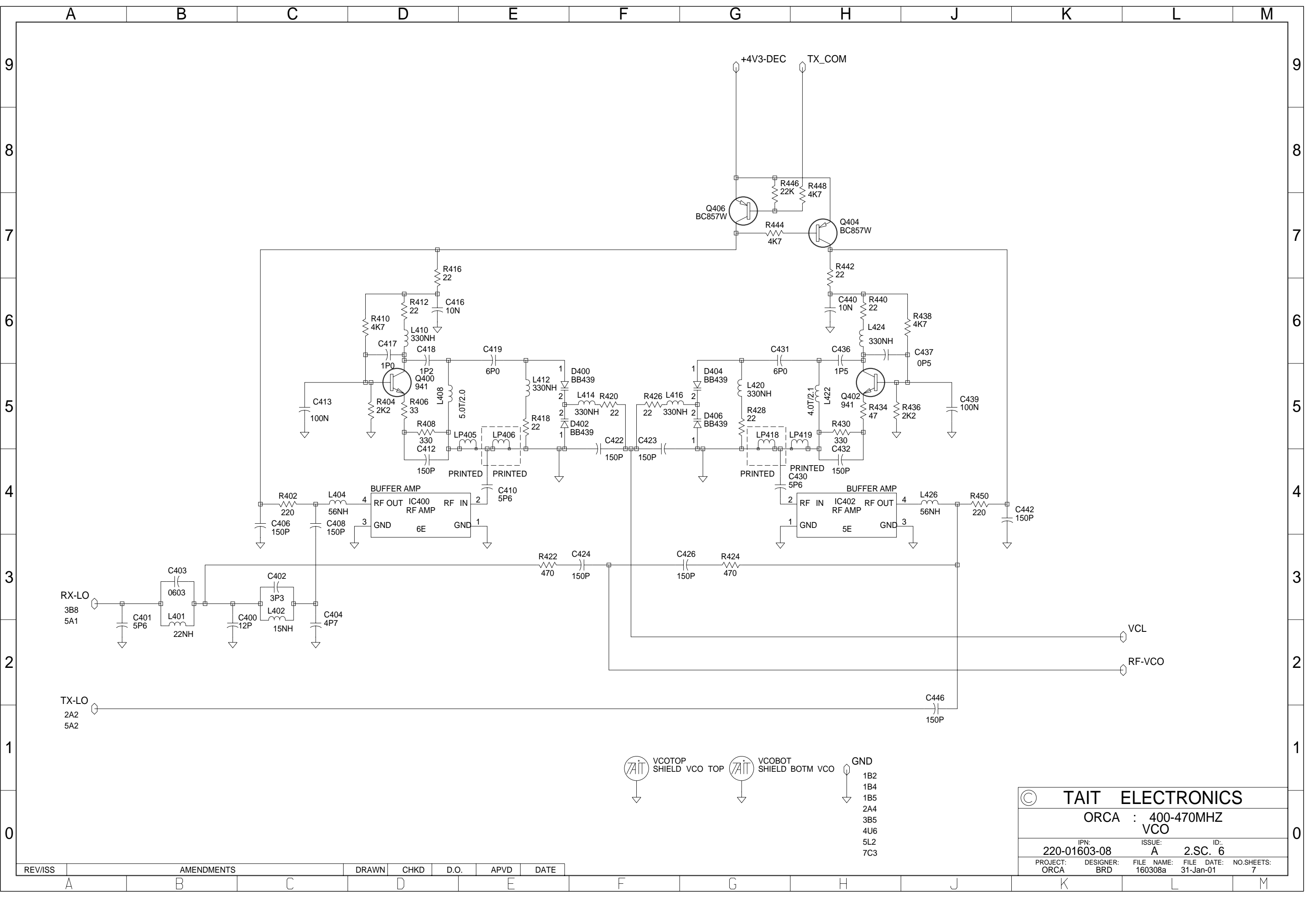
+14V-REG
SHEET 7
GND 3360

VCO
SHEET 6
3014 GND

© TAIT ELECTRONICS				
ORCA : 400-470MHZ SYNTHESISER				
IPN:	ISSUE:	ID:		
220-01603-08	A	2.SC. 5		
PROJECT:	DESIGNER:	FILE NAME:	FILE DATE:	NO.SHEETS:
ORCA	BRD	160308a	31-Jan-01	7

REV/ISS	AMENDMENTS	DRAWN	CHKD	D.O.	APVD	DATE

- +5V-AN 2A6
- +5V-AN 3B6
- +5V-AN 4V7
- +7V5-SW 7C6
- +7V5-SW 1B9
- +7V5-SW 2A7
- +7V5-SW 4U7
- +7V5-SW 7C4
- GND 1B2
- GND 1B4
- GND 1B5
- GND 2A4
- GND 3B5
- GND 4U6
- GND 6H1
- GND 7C3



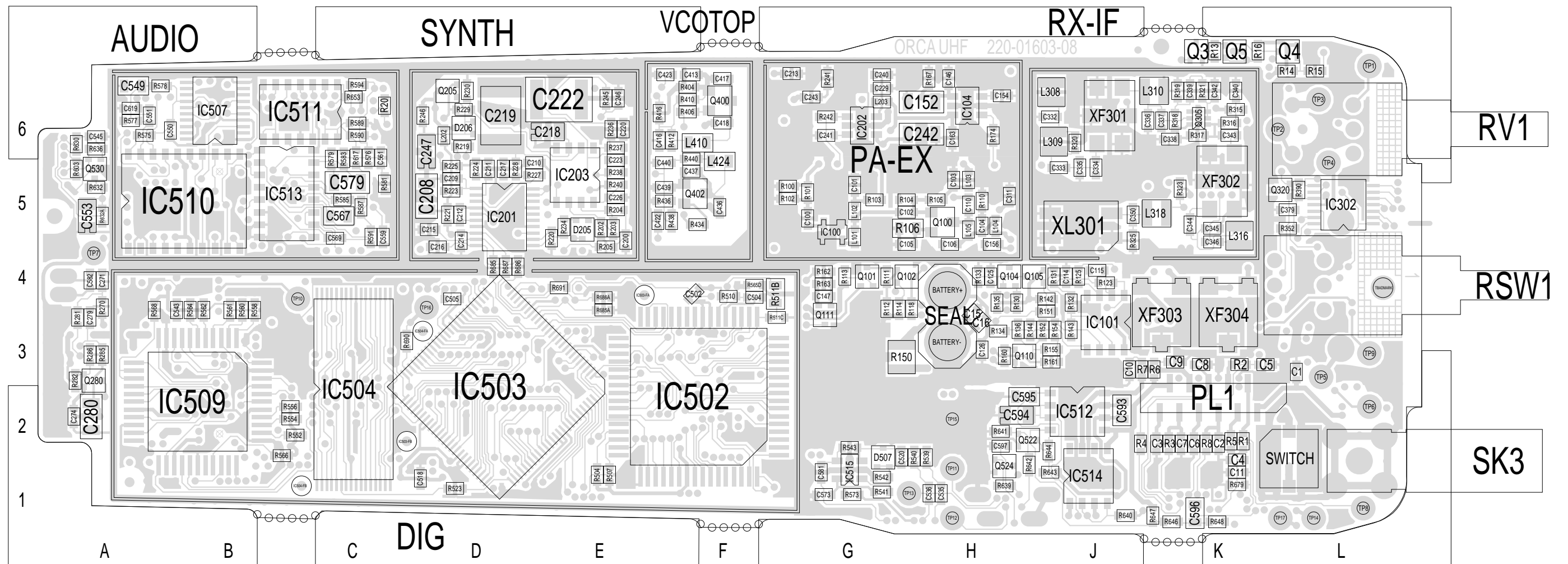
© TAIT ELECTRONICS

ORCA : 400-470MHZ
VCO

IPN: 220-01603-08 ISSUE: A ID: 2.SC. 6

PROJECT: ORCA DESIGNER: BRD FILE NAME: 160308a FILE DATE: 31-Jan-01 NO.SHEETS: 7

REV/ISS	AMENDMENTS	DRAWN	CHKD	D.O.	APVD	DATE



TAIT ELECTRONICS IPN: 220-01603-08 ISS: A ID: 1.TA DATE: 31 Jan 2001
 ORCA UHF PCB LAYOUT - TOP SIDE

